

Questionnaire Form for metal detectors-mounted to conveyor belts

Processed Material

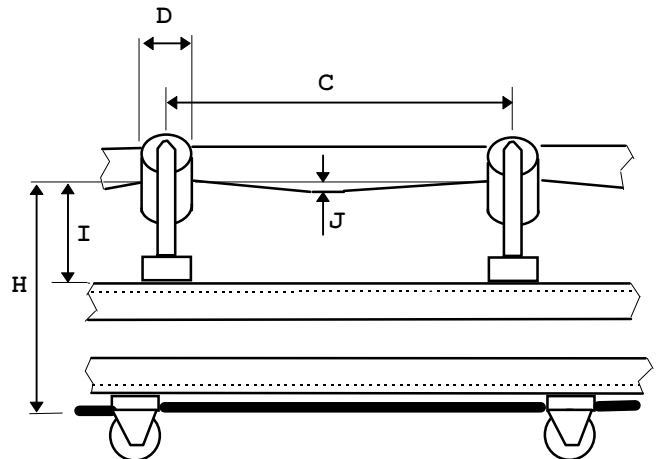
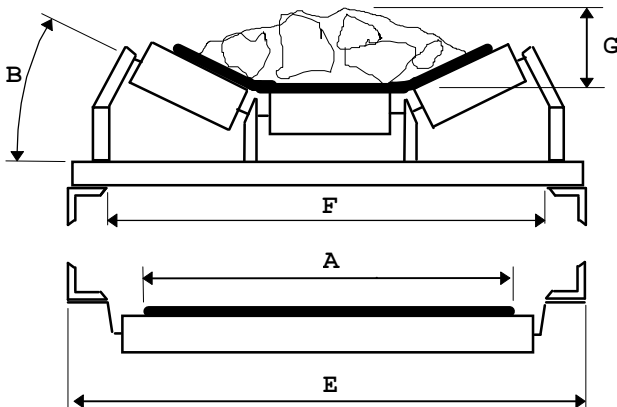
Smallest piece of metal which
should be detected:mm Ø
Conveyed material:
Conductive/magnetizable:Yes/No

Temperature of conv. mat:°C
Metal Type(s):
Grain size of conv. mat:mm
Transporting capacity :t/h

Conveyor Information

Belt width (A): mm
Belt speed: m/s
Max. burden height
on the belt (G): mm
Troughing idler angle (B) : °
Outside frame width (E) : mm
Inside frame width (F) : mm
Distance between
- frame and belt (I): mm
- carr. belt and ret. belt (H) : mm

Belt sag under load (J):mm
Idler spacing (C):mm
Diameter (D):mm
The probe location: Outdoors.....Indoors.....
Explosive area (yes or no) :
Control unit location: Outdoors.....Indoors.....
Explosive area.....Yes/No
Are metal splices or repair clips used ?.....Yes/No
Is the belt reinforced?.....Yes/No



General Facility Information

Single phase power voltage is: **220 VAC** available?.....if not **110 VAC** ?.....if not
what is available?
Power frequency : **50 Hz** **60 Hz** is power regulated ?.....
Geographical area of mounting place :
Ambient temperature (min./max.) :°C
Cable length required between probe & control unit:m

This specification is done by (name / company) :

..... Phone :

Signature:..... Date: