



LONGI[®]
Expert In Magnetic Technology

MAGNETIC SEPARATOR CATALOGUE



The largest supplier of magnetic industrial equipment in Asia

LONGJI MAGNET CO.,LTD.



Brief Introduction

Longji Magnet Co.,Ltd is a joint venture high-tech enterprise by Sino-Taiwan investment. Longji proves to be a professional manufacturer by providing magnetic industrial applied products such as magnetic separators, wet drum separators, lifting magnets, eddy-current magnetic separators, single-crystal magnetic field, etc. Longji holds a number of product patents and creative technical achievements and supplies products for more than 25 overseas countries worldwide. Longji always dedicates itself to meeting customers' requirements and considers improving magnetic technology as its own obligation.

Main Products

- Permanent Magnetic Separators
- Electro Magnetic Separators
- Magnetic Head Pulleys
- Drum Separators
- Lifting Magnets
- Eddy-current Separators
- Magnetic Sweepers & Brooms
- Grid Magnets
- Metal Detectors

Scope of Supply

Main body: Magnetic separator
Attached parts: Control panel, suspension device, walking device, collecting box, cable (as required) .

Client's Feedback

Knowing better about the working conditions listed below will be of great help for our engineers to choose the appropriate magnetic separator for you.

Material Characters:

Tons per hour: _____ Density: _____ Humidity: _____

Lump Size: _____ (Max.) _____ (Min.)

Equipment be protected: _____

Belt Conveyor or Chute

Width: _____ (mm) Speed: _____ (m/s)

Max. Burden Depth: _____ mm Head Pulley Diameter: _____ mm

Conveyor Obliquity: _____

Tramp Iron

Size: _____ (Max.) _____ (Min.)

Shape: Hex Nut () Cube () Rod () Plate ()

Sphere ()

Suspension

Cross-belt or overhead _____

Suspension height required: _____

Working Spot

Indoor () Outdoor ()

Power Supply

AC/DC _____ Volts _____ Phase _____ Hertz

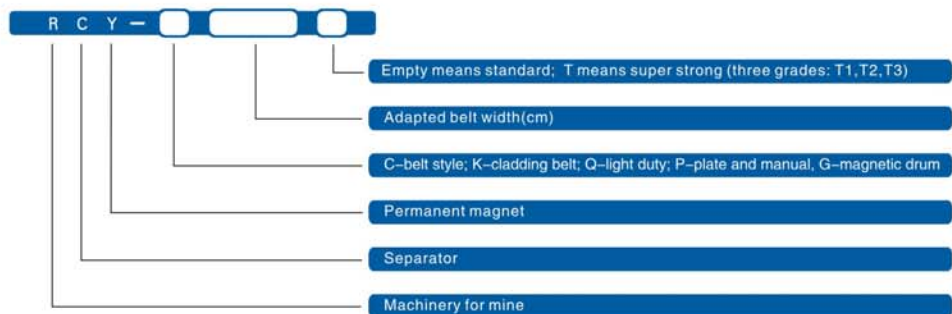
Content

	Model RCY-C Belt Permanent Magnetic Separator	2
	Model RCYK-C Self-cleaning Steel Cladding Permanent Magnetic Separator	3
	Model RCY-G Magnetic Pulley	4
	Model RCY-P Manual-cleaning Permanent Magnetic Separator	6
	Model RCY-Q Light-duty Self-cleaning Permanent Magnetic Separator	7
	Model ZWCY Manual Cleaning Permanent Magnetic Separator	8
	Model RCDA Fan-cooling Plate Electromagnetic Separator	9
	Model RCDB Air-cooling Electromagnetic Separator	10
	Model RCDC Fan-cooling Electromagnetic Separator	11
	Model RCDD Air-cooling Electromagnetic Separator	12
	Model RCDE/F Oil-cooling Electromagnetic Separator	13
	Model RCDK Steel Cladding Electromagnetic Separator	14
	Model PDC Electromagnetic Separator	15
	LECS Eddy Current Separator	16
	Control Box	19

Features and Application of Permanent Magnetic Separator

The series of permanent magnetic separators are used above various belt conveyors and chutes for cleaning the materials and collecting iron tramps. They have many features, e.g. compact structure, no cooling system, no power excitation system, rectifying the belt automatically. They can service in very worse working conditions. The products are widely used in many fields.

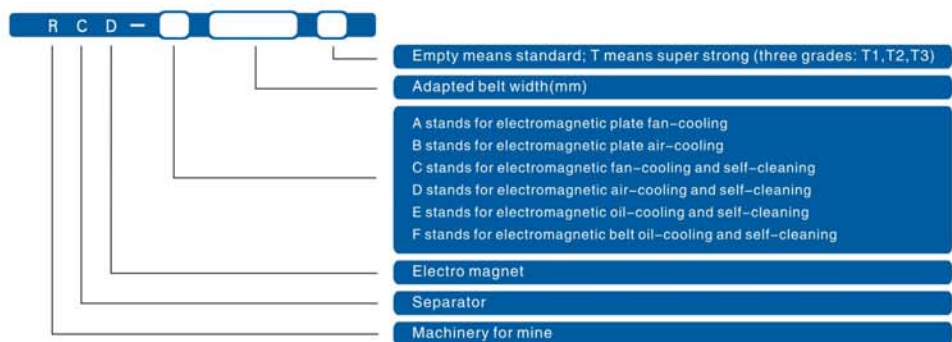
Model Instruction



Features and Application of Electromagnetic Separator

The series of electro magnetic separators are used above various belt conveyors and chutes for cleaning the materials and collecting iron tramps. They are widely used in the fields as generation plants, mines, metallurgy plants, construction materials ,food, etc. They have many advantages such as low temperature rise, good insulation, strong magnetic force, low power consumption and reliable performance.

Model Instruction

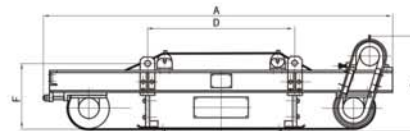
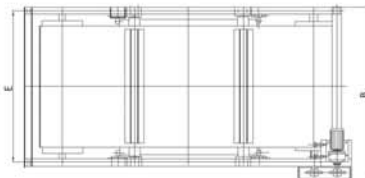


Series of Model RCY-C Belt Permanent Magnetic Separator



Features:

- To remove scrap iron buried in thick material layer continuously.
- High power rare earth magnets used.
- Optional magnetic force at the suspension height rated: 500Gs, 700Gs, 900Gs, 1200Gs, 1500Gs or even higher
- Compact structure, low noise, easy maintenance, much power saved.
- Departure of the belt can be rectified automatically.



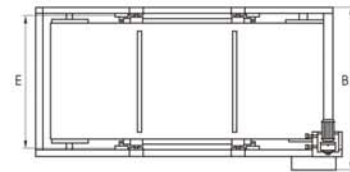
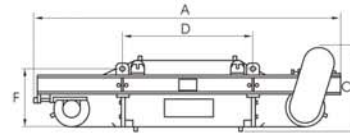
Main Technical Parameters

Model	Item Parameter	Belt Width Adaptive mm	Belt Velocity m/s	Suspension Height Rated mm	Magnetic Intensity at SHR mT	Catching Ability kg	Duty Cycle	Motor Power kw	Outline Dimensions mm						Weight kg
									A	B	C	D	E	F	
RCY-C50		500	≤4.5	150	70	0.1 ~ 35	Continuously	1.5	1970	903	722	620	647	451	700
RCY-C65		650		200	70				2110	1053	722	770	797		1000
RCY-C80		800		250	70				2320	1253	722	970	997		1300
RCY-C100		1000		300	70			3.0	2690	1453	803	1120	1190	1700	
RCY-C120		1200		350	70			4.0	2890	1713	868	1320	1430	516	2300
RCY-C140		1400		400	70				3090	1913	868	1520	1630		3100
RCY-C160		1600		450	70			5.5	3260	2115	868	1720	1830	516	4000
RCY-C180		1800		500	72			7.5	3540	2440	977	1860	2120		5300
RCY-C200		2000		550	72			7.5	3540	2635	1010	1860	2315	570	7700

The magnetic intensity can be specially designed according to your requirements.

Features:

- Specially designed for concrete recycling, construction, demolition and waste processing.
- 1mm to 5mm stainless steel cladding belt for protecting the belt effectively.
- Great magnetic intensity, high magnetic grade and Strong magnetic force at SHR.
- Self-cleaning for convenient operation
- Compact structure, easy maintenance, departure of The belt can be rectified automatically, long-term trouble-free operation.



Main Technical Parameters

Model	Item Parameter	Belt Width Adaptive mm	Suspension Height Rated mm	Belt velocity m/s	Magnetic Intensity at SHR mT	Catching Ability kg	Duty Cycle	Motor Power kw	Outline Dimensions mm						Weight kg
									A	B	C	D	E	F	
RCYK-C50		500	150	≤ 4.5	≥ 70	0.1 ~ 35	Continuously	1.5	1970	903	722	620	647	451	750
RCYK-C65		650	200					1.5	2110	1053	722	770	797	451	1150
RCYK-C80		800	250					2.2	2320	1253	722	970	997	451	1380
RCYK-C100		1000	300					3.0	2690	1450	803	1120	1190	451	1780
RCYK-C120		1200	350					4.0	2890	1713	868	1320	1430	516	2390
RCYK-C140		1400	400					4.0	3090	1913	868	1520	1630	516	3210

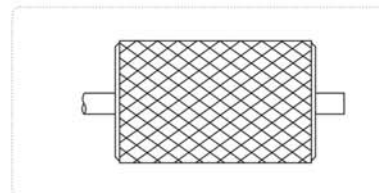
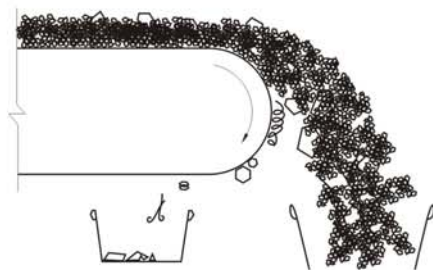
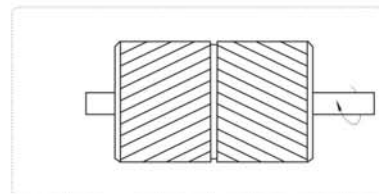
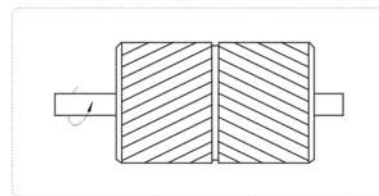
The magnetic intensity can be specially designed according to your requirements.

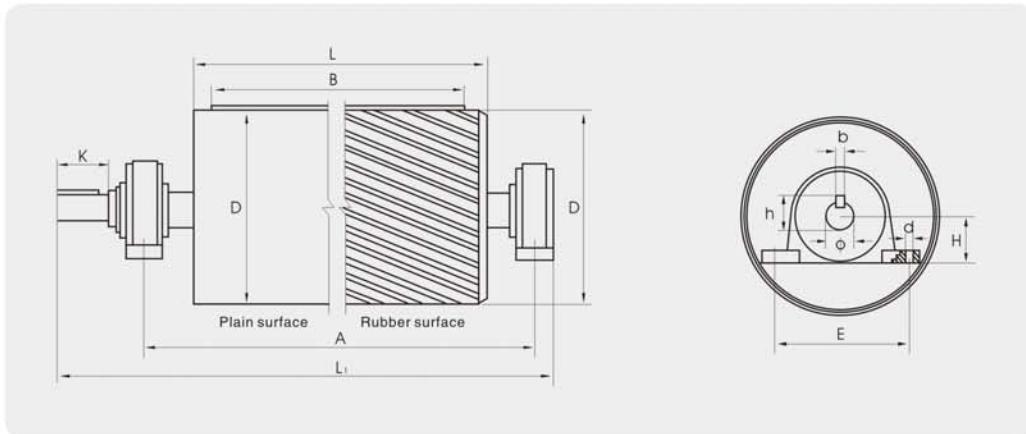
Series of Model RCY-G Magnetic Pulley

LONGi[®]
Expert In Magnetic Technology

Features:

- Optional magnetic force: 150mT~400mT as required.
- Large range of drum diameters of standard models from 500mm to 1400mm.
- Compact structure, easy maintenance, reliable performance.
- Good collecting effect for the iron scrap buried deeply in the material layer.





Main Technical Parameters

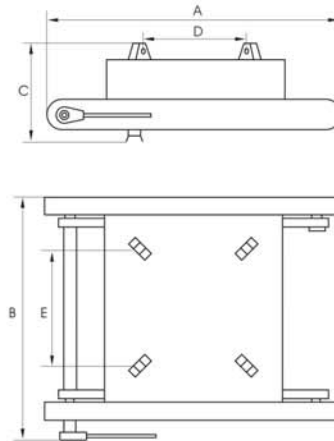
Model RCY-GB cm	Drum Length L	Drum Diameter D	Spindle Nose Φ XK	Linchpin		Bearing Pedestal				Bearing Model	Total Length L1	Magnetic Intensity mT	Torsion KN. m		Weight kg	
				b	h	A	E	H	d				Plain Surface	Rubber Surface		
RCY-G50	600	500	55X115	16	60	850	240	80	27	1312	1097	Special T=300~400	1.63	2.5	380	
RCY-G65-1	750	500	70X135	20	76	1000	350	120	27	1316	1280		2.12	3.26	580	
RCY-G65-2		630											2.96	4.54	800	
RCY-G80-1	950	500	70X135	20	76	1300	350	120	27	1316	1580		2.62	4.01	765	
RCY-G80-2		630	90X175	24	97		380	140		3520	1661		3.67	5.61	1090	
RCY-G80-3		800	90X175	24	97		380	140		27	3520		1661	5.59	8.55	1480
RCY-G100-1	1150	630	90X175	24	97	1500	380	140	27	3520	1861		Standard P=150~250	4.57	7.01	1285
RCY-G100-2		800	110X215	32	119		440	160	34	3524	1945			6.96	10.68	1865
RCY-G100-3		1000	130X255	36	140		480	180		3528	2020			17.75	2795	
RCY-G120-1	1400	630	110X215	32	119	1750	440	160	34	3524	2195			5.49	8.4	1610
RCY-G120-2		800	110X215	32	119		480	180		3528	2270			8.37	12.81	2465
RCY-G120-3		1000	130X255	36	140		540	200		3532	2305			21.3	3560	
RCY-G120-4		1250	150X275	40	161		540	200		3532	2305	30		5230		
RCY-G140-1	1600	800	110X215	32	119	2000	440	160	34	3524	2445	9.76		14.92	2865	
RCY-G140-2		1000	150X275	40	161		540	200		3532	2555	24.925		4405		
RCY-G140-3		1250	150X275									35.0		6005		
RCY-G140-4		1400	170X335	181	590		220	40		3536	2635	47.0		7535		

The magnetic intensity can be specially designed according to your requirements.

Series of Model RCY-P Manual-cleaning Permanent Magnetic Separator

Features:

- Applied above narrow conveyor belt, thin material layer, less iron scrap included in the material.
- Manual cleaning style.
- Simple structure, easy maintenance, reliable operation, no noise.



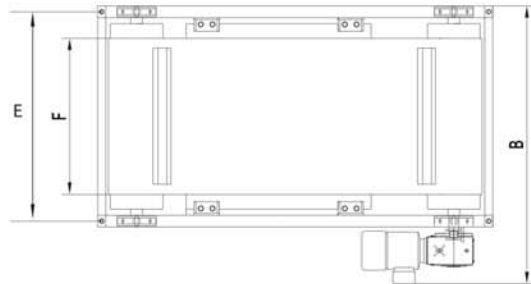
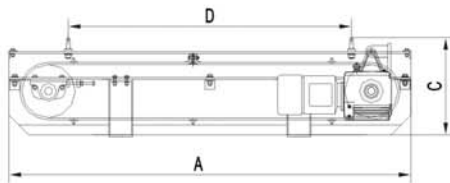
Main Technical Parameters

Model	Item		RCY-P40	RCY-P50	RCY-P65	RCY-P80	RCY-P100
	Parameter						
	Belt Width Adaptive	mm	400	500	650	800	1000
	Suspension Height Rated	mm	125	150	200	250	300
	Magnetic Intensity at SHR	mT	>70	>70	>70	>70	>70
	Belt velocity	m/s	≤4.0				
	Catching ability	kg	0.1~30				
	Weight	kg	310	460	630	910	1240
	Suspension Size D×E	mm	340X340	460X460	600X600	770X770	1000X1000
	Outline Dimensions A×B×C	mm	900X850X400	1000X875X425	1150X1025X438	1350X1225X480	1500X1375X510

The magnetic intensity can be specially designed according to your requirements.

Features:

- Suitable for the fields such as environment protection, food, molding, mining, etc, especially for recycling.
- Easy maintenance, easy installation.
- Small volume, low noise, low weight, compact and simple structure.



Main Technical Parameters

Item Parameter Model	Conveyor belt width adpative (mm)	Operation height (mm)	Motor Power (kw)	Main outline size (mm)						Weight (kg)
				A	B	C	D	E	F	
RCY-Q60	600	250	2.2	1880	1425	520	900	1073	800	1150
RCY-Q80	800	250	2.2	2030	1425	520	1430	1073	800	1300
RCY-Q100	1000	250	2.2	2030	1610	520	1430	1073	800	1400
RCY-Q120	1200	250	2.2	2450	1425	520	1300	1073	800	1650
RCY-Q140	1400	250	4.0	2800	1450	520	2000	1073	800	1900

700Gs or 500Gs at 250mm operation height

Series of Model ZWCY Manual Cleaning Permanent Magnetic Separator

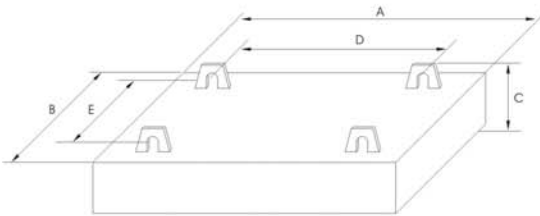


Application:

Suitable for removing the iron tramp from the various materials during the process of crushing, sifting and conveying.

Features:

Sustained and reliable magnetic field; For bad working conditions except high temperature; No power consumption; Compact structure, light weight and easy maintenance.



Main Technical Parameters

Model	Belt Width Adaptive mm	Suspension Height Rated mm	Magnetic Intensity at SHR mT	Catching Ability kg	Outline Dimensions mm					Weight kg	Magnet Style
					A	B	C	D	E		
ZWCY-50A	500	120	50	0.1~25	528	348	117	400	280	76	Rare Earth
ZWCY-65A	650	150			628	348	130	500	280	97	
ZWCY-80A	800	200			828	508	160	700	420	248	
ZWCY-100A	1000	230			1028	658	160	850	550	390	
ZWCY-50B	500	100	45		598	488	209	450	400	165	Ferrite
ZWCY-50C	500	170			728	573	209	600	500	284	
ZWCY-65B	650	120			728	573	191	600	500	257	
ZWCY-65C	650	180			828	658	219	700	550	420	
ZWCY-80B	800	180			828	658	219	700	550	420	
ZWCY-100B	1000	200			1028	658	219	850	550	496	

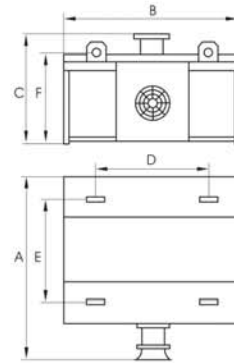
The magnetic intensity can be specially designed according to your requirements.

Application:

Suitable for outdoors installation and light-dust working site.

Features:

- The coils have unique features like anti-oxidation, anti-rust, good insulation;
- Large heat releasing area, low temperature rise, good cooling performance, etc.
- Optional magnetic force at SHR: 500Gs, 700Gs, 1200Gs, 1500Gs, etc.



Main Technical Parameters

Model	Item Parameter	Cooling Style	Belt Width Adaptive mm	Suspension Height Rated mm	Excitation Power kw	Magnetic Intensity at SHR mT	Fan Power kw	Outline Dimensions mm						Weight kg
								A	B	C	D	E	F	
RCDA-5		Fan-cooling	500	150	2.0	70	0.37	1090	730	411	550	550	313	400
RCDA-6			650	200	3.0	70	0.37	1160	800	512	600	600	434	650
RCDA-8			800	250	4.1	70	0.37	1260	900	580	700	700	507	1020
RCDA-10			1000	300	5.9	70	0.55	1360	1000	669	750	750	596	1600
RCDA-12			1200	350	7.0	70	0.55	1560	1200	759	850	850	686	2300
RCDA-14			1400	400	8.3	70	1.1	1760	1400	843	900	900	770	3400
RCDA-16			1600	450	11.0	70	1.1	1960	1600	913	1000	1000	840	4500

The magnetic intensity can be specially designed according to your requirements.

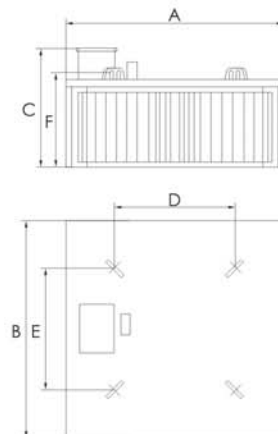
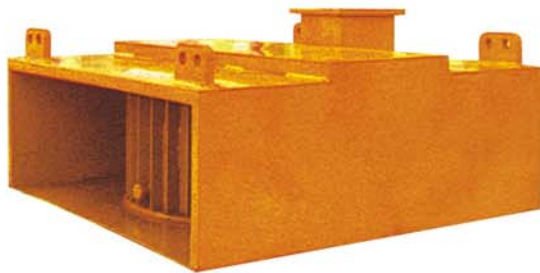
Series of Model RCDB Air-cooling Electromagnetic Separator

Application:

Suitable for different working conditions, especially for worse working conditions.

Features:

- Compact structure, small volume, low weight.
- Free maintenance, no noise.
- Good heat releasing, low temperature rise.
- Optional magnetic force at SHR: 500Gs, 700Gs, 1200Gs, 1500Gs, etc.



Main Technical Parameters

Item Model	Parameter	Cooling Style	Belt Width Adaptive mm	Suspension Height Rated mm	Excitation Power kw	Magnetic Intensity at SHR mT	Outline Dimensions mm						Weight kg
							A	B	C	D	E	F	
RCDB-5		Air-cooling	500	150	1.8	70	920	820	431	550	550	353	600
RCDB-6			650	200	2.5	70	1020	920	519	600	600	441	1000
RCDB-8			800	250	3.4	70	1120	1130	599	700	700	526	1550
RCDB-10			1000	300	4.4	70	1250	1200	691	750	750	618	2200
RCDB-12			1200	350	7.6	70	1290	1300	771	850	850	698	2900
RCDB-14			1400	400	9.1	70	1400	1400	841	900	900	768	3800
RCDB-16			1600	450	11.0	70	1600	1600	933	1000	1000	860	5150

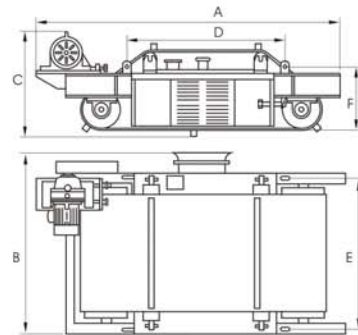
The magnetic intensity can be specially designed according to your requirements.

Application:

Suitable for light-dust working sites.

Features:

- Compact structure, easy maintenance.
- Departure of the belt can be rectified automatically.
- Low temperature rise.
- Collecting and discharging continuously.



Main Technical Parameters

Model	Item Parameter	Cooling Style	Belt Width Adaptive mm	Suspension Height Rated mm	Excitation Power kw	Magnetic Intensity at SHR mT	Motor Power kw	Fan Power kw	Outline Dimensions mm						Weight kg
									A	B	C	D	E	F	
RCDC-5	Fan-cooling		500	150	2.0	70	1.5	0.37	2300	1143	732	746	723	461	730
RCDC-6			650	200	3.0	70	1.5	0.37	2370	1286	732	816	873	461	1070
RCDC-8			800	250	4.1	70	2.2	0.37	2550	1493	732	922	1073	461	1650
RCDC-10			1000	300	5.9	70	3.0	0.55	2800	1693	800	1022	1273	484	2400
RCDC-12			1200	350	7.0	70	4.0	0.55	3200	1953	878	1230	1523	595	3400
RCDC-14			1400	400	8.3	70	4.0	1.1	3635	2153	920	1430	1723	689	4700
RCDC-16			1600	450	11.0	70	5.5	1.1	3950	2360	1070	1640	1923	768	7100

The magnetic intensity can be specially designed according to your requirements.

Series of Model RCDD Air-cooling Electromagnetic Separator

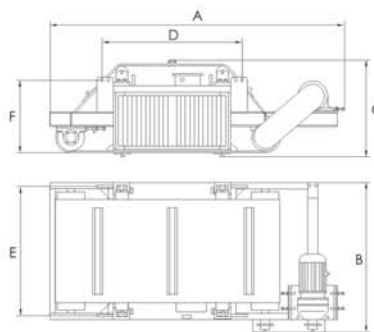


Application:

Suitable for heavy-dust working sites.

Features:

- Compact structure, easy maintenance.
- Departure of the belt can be rectified automatically.
- Self-cooling system ensures reliable operation.
- Low noise, easy operation, collecting and discharging continuously.



Main Technical Parameters

Item Parameter Model	Cooling Style	Belt Width Adaptive mm	Suspension Height Rated mm	Excitation Power kw	Magnetic Intensity at SHR mT	Motor Power kw	Outline Dimensions mm						Weight kg
							A	B	C	D	E	F	
RCDD-5	Air-cooling	500	150	1.8	70	1.5	2400	930	732	936	723	461	930
RCDD-6		650	200	2.5	70	1.5	2500	1054	732	1036	873	461	1400
RCDD-8		800	250	3.4	70	2.2	2770	1350	744	1142	1073	481	2100
RCDD-10		1000	300	4.4	70	3.0	3040	1550	822	1272	1273	504	2900
RCDD-12		1200	350	7.6	70	4.0	3275	1800	890	1320	1523	607	3900
RCDD-14		1400	400	9.1	70	4.0	3635	2000	920	1430	1723	692	5000
RCDD-16		1600	450	11.0	70	5.5	3950	2300	1070	1640	1923	788	7600

The magnetic intensity can be specially designed according to your requirements.

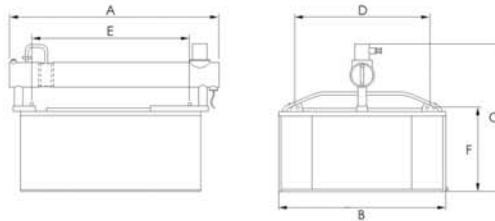
Series of Model RCDE/F Oil-cooling Electromagnetic Separator

Application:

Suitable for industrial fields such as coal cleaning plant, power plant, chemical industry, mining, construction and materials. They can withstand heavy dust, dampness and corrosive environment.

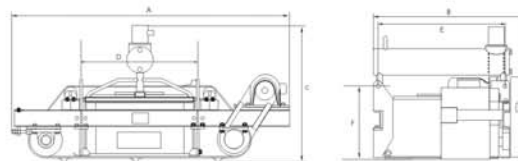
Features:

- High-quality cooling oil and optimizes oil circulating design guarantees lower temperature rise.
- Compact structure, low weight, low noise, easy operation, easy maintenance.



Main Technical Parameters

Model	Item Parameter	Cooling Style	Belt Width Adaptive mm	Suspension Height Rated mm	Magnetic Intensity at SHR mT	Excitation Power kw	Outline Dimensions mm						Weight kg
							A	B	C	D	E	F	
RCDE-6		Oil-cooling	650	200	70	3.2	1070	900	925	650	720	432	900
RCDE-8			800	250	70	4.3	1126	1050	1107	620	716	551	1400
RCDE-10			1000	300	70	5.7	1250	1200	1160	970	850	596	2100
RCDE-12			1200	350	70	7.0	1450	1300	1201	1070	1050	700	2700
RCDE-14			1400	400	70	8.7	1670	1500	1250	1220	1250	786	3400
RCDE-16			1600	450	70	11.5	1910	1600	1400	1200	1430	910	5000



Model	Item Parameter	Cooling Style	Belt Width Adaptive mm	Suspension Height Rated mm	Magnetic Intensity at SHR mT	Motor Power kw	Excitation Power kw	Outline Dimensions mm						Weight kg
								A	B	C	D	E	F	
RCDF-6		Oil-cooling	650	200	70	1.5	3.2	2275	1081	1048	922	854	549	1200
RCDF-8			800	250	70	2.2	4.3	2400	1473	1120	1072	1090	637	2000
RCDF-10			1000	300	70	3.0	5.7	2706	1564	1240	1130	1253	694	2700
RCDF-12			1200	350	70	4.0	7.0	3190	1718	1391	1330	1440	805	3400
RCDF-14			1400	400	70	4.0	8.7	3430	1918	1366	1530	1693	820	4000
RCDF-16			1600	450	70	5.5	11.5	3550	2118	1465	1730	1923	895	6300

The magnetic intensity can be specially designed according to your requirements.

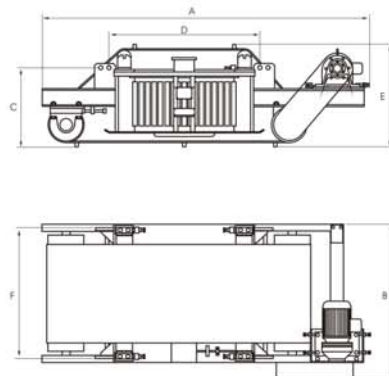
Series of Model RCDK Steel Cladding Electromagnetic Separator

Application:

Especially suitable for concrete recycling, construction, demolition and waste processing.

Features:

- 1 mm to 5mm stainless steel cladding belt for protecting the belt effectively.
- Safe and reliable insulation of the coils.
- Self-cleaning for convenient operation.
- Compact structure, easy maintenance, departure of the belt can be rectified automatically, long-term trouble-free operation.



Main Technical Parameters

Model	Item Parameter	Belt Width Adaptive mm	Suspension Height Rated mm	Magnetic Intensity at SHR mT	Cooling Style	Duty Cycle	Excitation Power kw	Outline Dimensions mm						Weight kg
								A	B	C	D	E	F	
RCDK-5		500	150	≥70	Air-cooling	1.5	1.8	2210	1045	645	945	673	486	1080
RCDK-6		650	200			1.5	2.5	2350	1113	702	1052	873	537	1570
RCDK-8		800	250			2.2	3.5	2460	1253	833	1110	1073	647	2100
RCDK-10		1000	300			3.0	5.7	2750	1593	945	1310	1273	760	3120
RCDK-12		1200	350			4.0	7.1	3080	1713	1050	1610	1523	840	4350
RCDK-14		1400	400			4.0	9.0	3450	1973	1165	1920	1723	947	5950

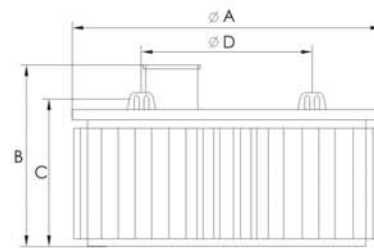
The magnetic intensity can be specially designed according to your requirements.

Application:

Suitable for different kinds of working conditions, especially for the worse conditions.

Features:

- Small volume, low weight, compact structure.
- Maintenance free.
- No noise, quick heat releasing, low temperature rise.
- On-site or remote control.



Main Technical Parameters

Model	Item Parameter	Cooling Style	Belt Width Adaptive mm	Suspension Height Rated mm	Excitation Power kw	Magnetic Intensity at SHR mT	Outline Dimensions mm				Weight kg
							A	B	C	D	
PDC-5		Air-cooling	500	150	1.8	70	810	431	353	610	500
PDC-6			650	200	2.5	70	905	519	441	700	830
PDC-8			800	250	3.4	70	1000	609	536	800	1300
PDC-10			1000	300	4.4	70	1080	701	628	850	1800
PDC-12			1200	350	7.6	70	1180	781	708	900	2500
PDC-14			1400	400	9.1	70	1300	841	768	1000	3150
PDC-16			1600	450	11.0	70	1350	933	860	1050	4100

The magnetic intensity can be specially designed according to your requirements.

LECS Eddy Current Separator

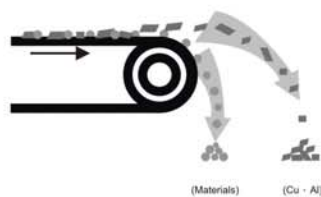
Features:

LECS eddy current separator is most suitable for recycling Copper, Aluminum and other non-ferrous metal from industrial rubbish and MSW (Municipal Solid Waste). Nowadays, it's vastly used in the recycling industries of rubbish, automobiles, electronics, material processing of non-ferrous metal, etc.

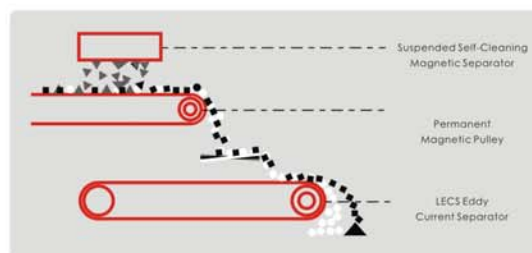


Working Principle

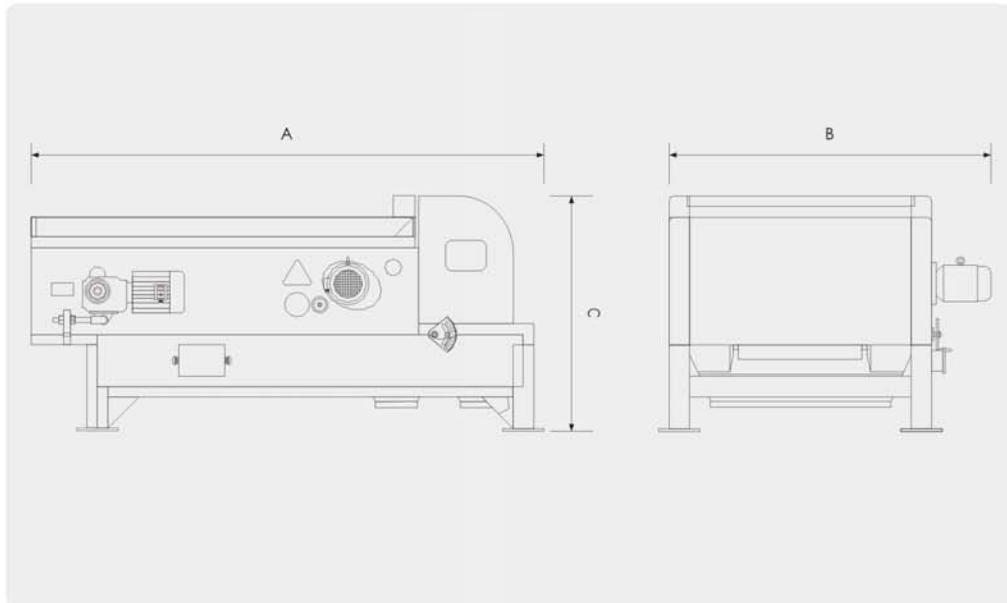
- LECS eddy current separator is designed on the basic theory that induced current generates whilst the conductor is in high-frequency alternating magnetic field.
- High-frequency alternating magnetic field generates on the surface of the magnetic rotor during running.
- When non-ferrous metal enters the high-frequency alternating magnetic field, eddy current occurs inside the non-ferrous metal.
- The direction of the magnetic field by eddy current is counter to that of the magnetic field by the high-frequency alternating magnetic field which leads to rejecting force.
- The rejecting force will forward-throw non-ferrous metals off the high-frequency alternating magnetic field, so non-ferrous metals can be recycled effectively.



Working principle sketch



Working processing sketch



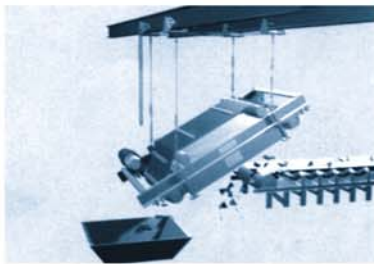
Main Technical Parameters

Item Model	Parameter	Belt Width Adaptive mm	Motor Power kw	Handling Capacity m ³ /h	Outline Dimensions A×B×C mm	Weight Kg
LECS-60		650	4.0	6	2250×1750×1075	1100
LECS-80		800	5.5	7.5	2360×1960×1110	1200
LECS-100		1000	5.5	9	2470×2200×1140	1400
LECS-120		1200	7.5	12	2560×2450×1180	1500
LECS-150		1500	7.5	13.5	2650×2750×1215	1750
LECS-180		1800	11	18	2740×3150×1245	1900
LECS-200		2000	11	20.5	2850×3350×1270	2000

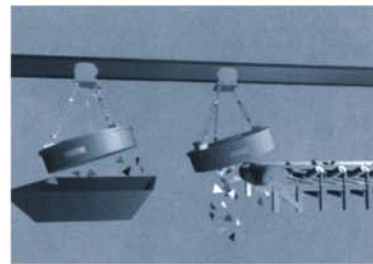
The magnetic intensity can be specially designed according to your requirements.

Installation position of a suspended magnetic separator is selected according to the working site.

Overhead the conveyor belt

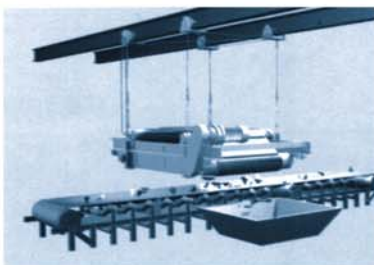


Overhead installation of belt magnet

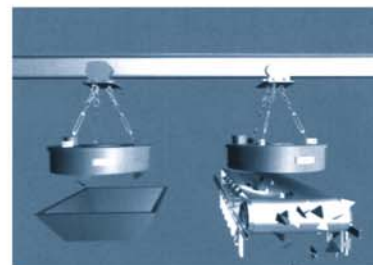


Overhead installation of plate magnet

Across the conveyor belt



Cross-belt installation of belt magnet



Cross-belt installation of plate magnet



Control Box

Model	Features	Separator Model
XI - 18	No electric walking trolley	RCY - C RCY - Q
XI - 19	Manual walking trolley provided	RCYK - C
GLA - P	On-site control or remote control	RCDA RCDB RCDE PDC
GLA - D	On-site control or remote control	RCDC RCDD RCDF RC DK
GLA - X I	Control mode can be designed according to customer's requirement	RCDA RCDB RCDE PDC
GLA - X II	Control mode can be designed according to customer's requirement	RCDA RCDB RCDE PDC
GLA - X III	Control mode can be designed according to customer's requirement	RCDA RCDB RCDE PDC



LONGJI MAGNET CO.,LTD.

Add: 82,Shunfa Road,Fushun Economic
Development Area,China 113122

Phone: +86-413-6700058 6700068

Fax: +86-413-6700017

E-mail: longji@ljmagnet.com

URL: <http://www.ljmagnet.com>

Serial No.:LJ/C-030801-(2008)