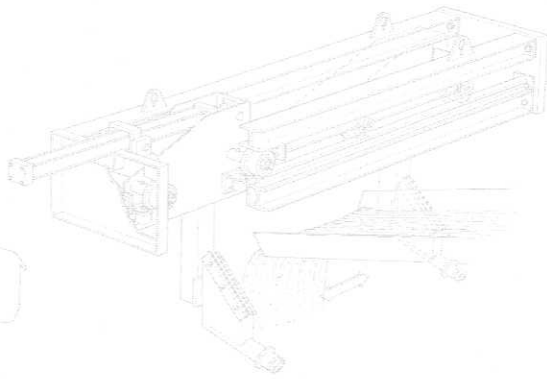
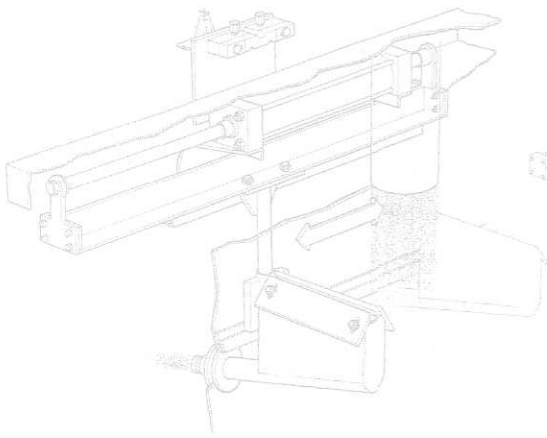
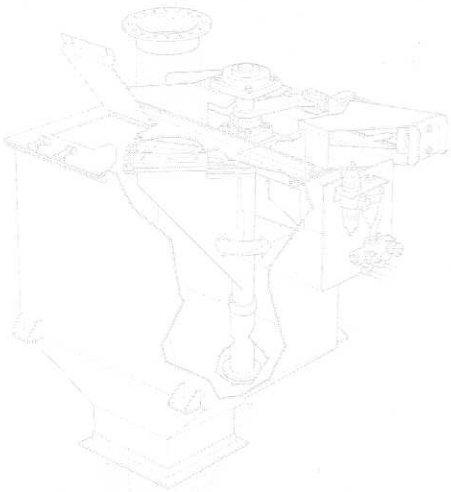


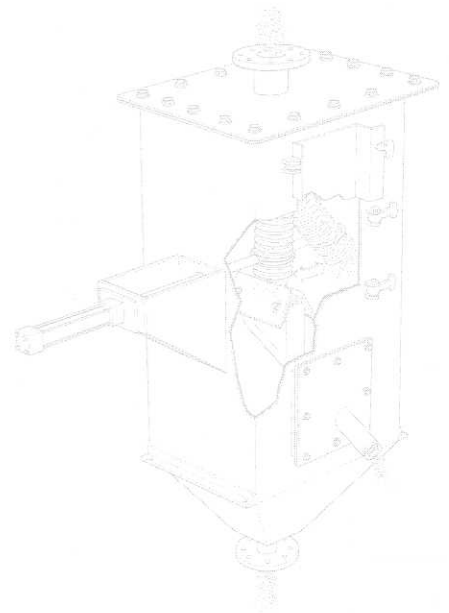
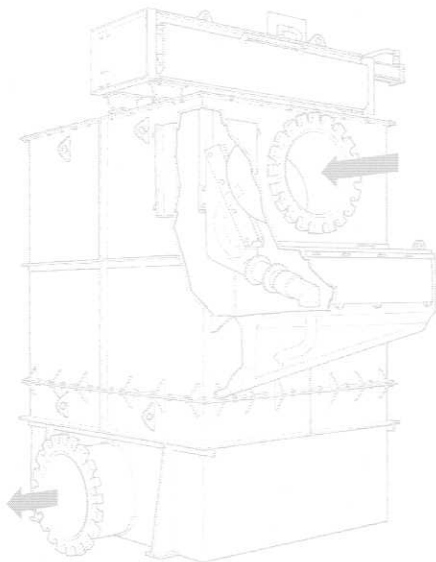
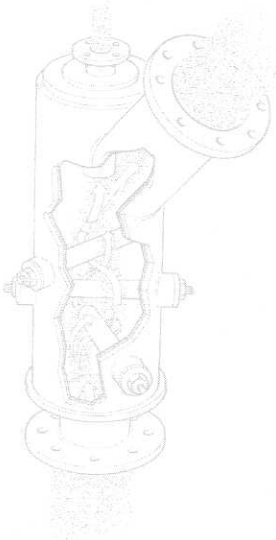
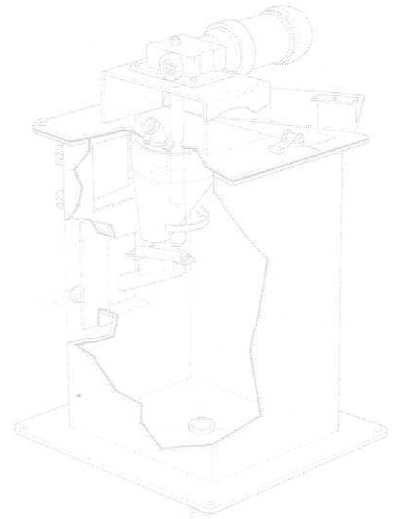
**practical
sampling
solutions**



standard
samplers



HEATH & SHERWOOD



linear samplers

Model 1100 General Duty

The Most Economical Sampler for Metallurgical Accounting Applications

Standard and custom designs with many applications for pipe, chute, conveyor, and launder discharges.

Easy to Install

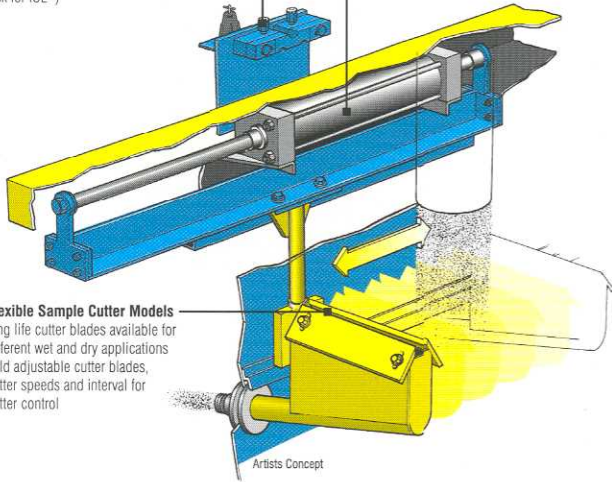
- connects to plant air through supplied filter/regulator/lubricator airline conditioner
- minimal mechanical support required
- optional Integrated Cutter Enclosure (ask for ICE™)

Patented Pneumatic Drive

- ensures uniform cutter velocity through the material stream
- follows accepted rules and standards, eliminating sampling bias

Flexible Sample Cutter Models

- long life cutter blades available for different wet and dry applications
- field adjustable cutter blades, cutter speeds and interval for better control



Model 1200- Sliding Plate

Primary or Secondary Sampling for Size, Moisture and Metallurgical Accounting

Increase profits from your process by accurately sampling granular materials. Standard and custom designs for any size of chute.

Patented Pneumatic Drive

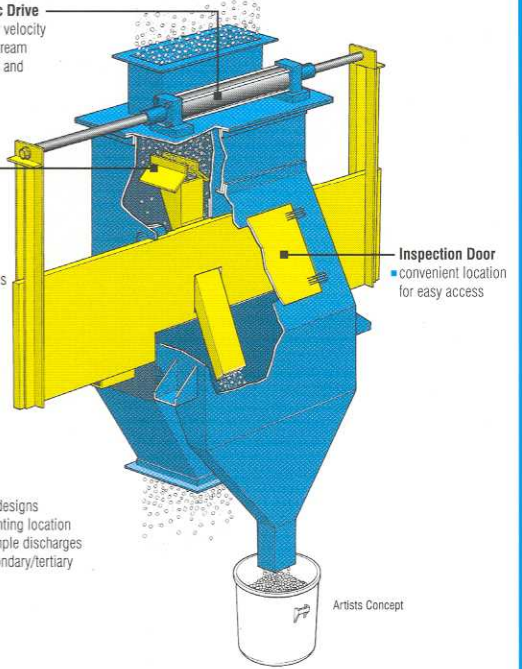
- ensures uniform cutter velocity through the material stream
- follows accepted rules and standards, eliminating sampling bias

Flexible Sample Cutter Models

- replaceable long-life cutter blades available in different materials
- cutter is supported by heavy plate which seals chute and eliminates dust
- cutter isolated from stream in rest position
- field adjustable cutter blades, cutter speed and interval for better control

Easy to Install

- standard and custom designs
- adaptable to suit mounting location
- operates in chute, sample discharges to container or to secondary/tertiary sampler



ice™ (integrated cutter enclosures)

Model 1100 General Duty

The Integrated Cutter Enclosure ensures good sampling by directing all of the slurry flow to the cutter.

Increase profits from your process by accurately sampling flotation feed, final tails and final concentrate streams.

Inspection Doors

- convenient location for cutter adjustment and maintenance

Rubber Lined Inner Surface

- prevents wear
- special lining materials are available

Process Connection Inlet

- flanged pipe or launder
- vertical or side-feeding
- feed entrance ensures accurate sampling by eliminating sampling bias

Drip Rings

- eliminates contamination of sample
- inside and outside of sample launder

Easy Sampler Mounting

- protection from slurry splashing
- modular design

Process Connection Outlet

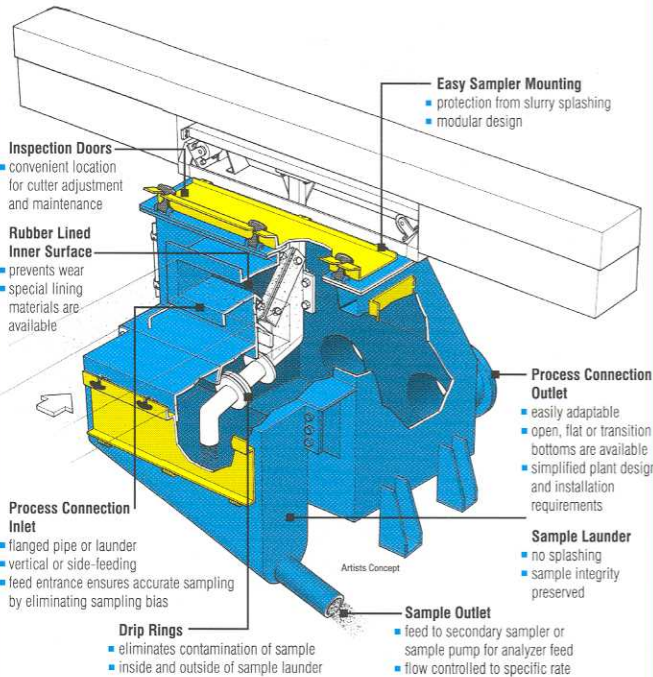
- easily adaptable
- open, flat or transition bottoms are available
- simplified plant design and installation requirements

Sample Launder

- no splashing
- sample integrity preserved

Sample Outlet

- feed to secondary sampler or sample pump for analyzer feed
- flow controlled to specific rate



Model 1350- Integrated Cutter Enclosure

The Integrated Cutter Enclosure ensures good sampling by directing all of the slurry flow to the cutter.

Increase profits from your process by accurately sampling flotation feed, final tails and final concentrate streams.

Easy Mounting of Sampler

- protection from slurry splashing
- modular design

Inspection Doors

- convenient location for cutter adjustment and maintenance

Rubber Lined Inner Surface

- prevents wear
- special lining materials are available

Process Connection Outlet

- easily adaptable
- open, flat, and transition bottoms available
- simplified plant design and installation requirements

Process Connection Inlet

- easily adaptable
- flanged pipe or launder vertical or side feeding
- feed entrance ensures high quality samples

Inspection Door for Sample Launder

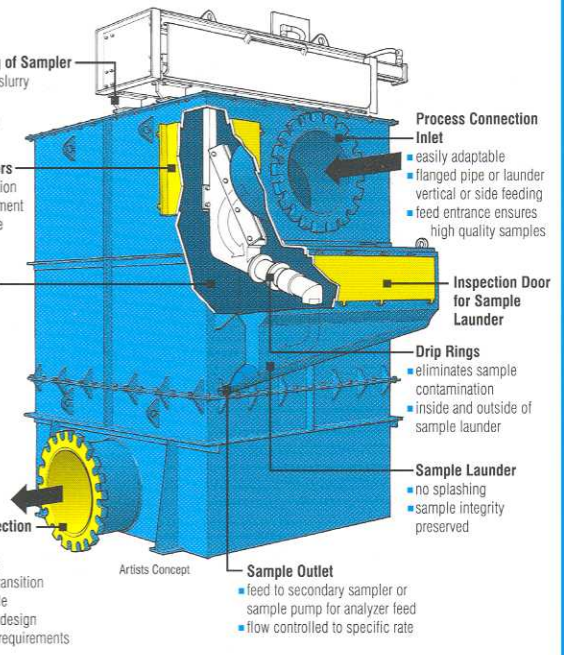
- eliminates sample contamination inside and outside of sample launder

Sample Launder

- no splashing
- sample integrity preserved

Sample Outlet

- feed to secondary sampler or sample pump for analyzer feed
- flow controlled to specific rate



Model 1350 Extra Heavy Duty

Sampling of High Flows for On-stream analysis or Metallurgical Accounting

Increase profits from your process by accurately sampling slurry and dry streams. Standard and custom designs with many applications for slurry pipe discharges up to any diameter and wide launder discharges. Solid applications: conveyor, apron discharges and run-of-mine ore. Ferrous, non-ferrous ores, industrial minerals and coal.

Patented Pneumatic Drive

- ensures uniform cutter velocity through the material stream
- follows accepted rules and standards, eliminating sampling bias

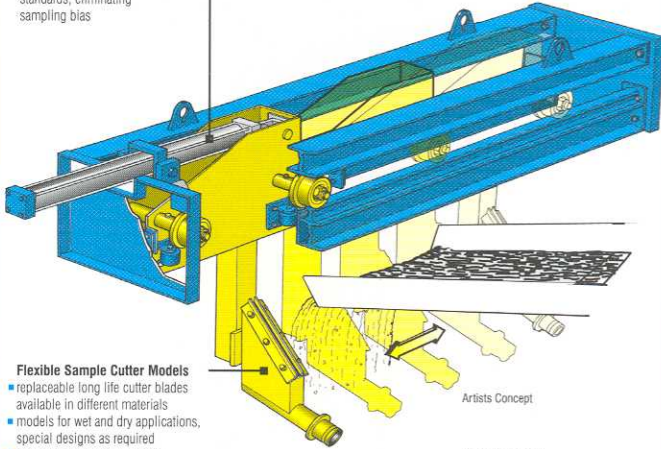
Flexible Sample Cutter Models

- replaceable long life cutter blades available in different materials
- models for wet and dry applications, special designs as required
- field adjustable cutter blades, cutter speed and interval for better control

- ensures high operating time with low maintenance
- cutter carriage on 20# rail, supported by steel rollers and urethane thrustors
- no special tools required

Easy to Install

- low profile carriage and frame, adapts easily above pump boxes
- connects to plant air through supplied filter/regulator/airline conditioner
- optional Integrated Cutter Enclosures (ask for ICE™)



Artists Concept

Model 1500 Yoke Style

Sampling of High Flows for On-stream Analysis or Metallurgical Accounting

Increase profits from your process by accurately sampling slurry. Standard and custom designs with many applications for vertical slurry pipe discharges up to any diameter and wide chute discharges. Slurry applications: cyclone overflow, final tailings, final concentrate.

Low Profile Carriage and Frame

- adapts easily above pump boxes or tanks
- cutter carriage mounted on 20# rail supported by steel rollers and urethane thrustors

Patented Pneumatic Drive

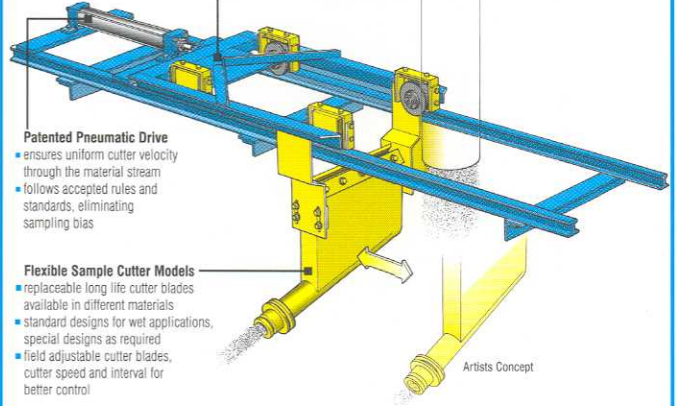
- ensures uniform cutter velocity through the material stream
- follows accepted rules and standards, eliminating sampling bias

Flexible Sample Cutter Models

- replaceable long life cutter blades available in different materials
- standard designs for wet applications, special designs as required
- field adjustable cutter blades, cutter speed and interval for better control

Very Easy to Install

- connects to plant air through supplied filter/regulator/airline conditioner
- ensures high operating time with low maintenance
- no special tools required
- optional Integrated Cutter Enclosures (ask for ICE™)



Artists Concept

Model 1500- Integrated Cutter Enclosure

The Integrated Cutter Enclosure ensures good sampling by directing all of the slurry flow to the cutter.

Increase profits from your process by accurately sampling flotation feed, final tails and final concentrate streams.

Easy Sampler Mounting

- protection from slurry splashing
- modular design

Process Connection Outlet

- easily adaptable
- open, flat or transition bottoms are available
- simplified plant design and installation requirements

Rubber Lined Inner Surface

- prevents wear
- special lining materials are available

Sample Launder

- no splashing
- sample integrity preserved

Sample Outlet

- feed to secondary sampler or sample pump for analyzer feed
- flow controlled to specific rate

Process Connection Inlet

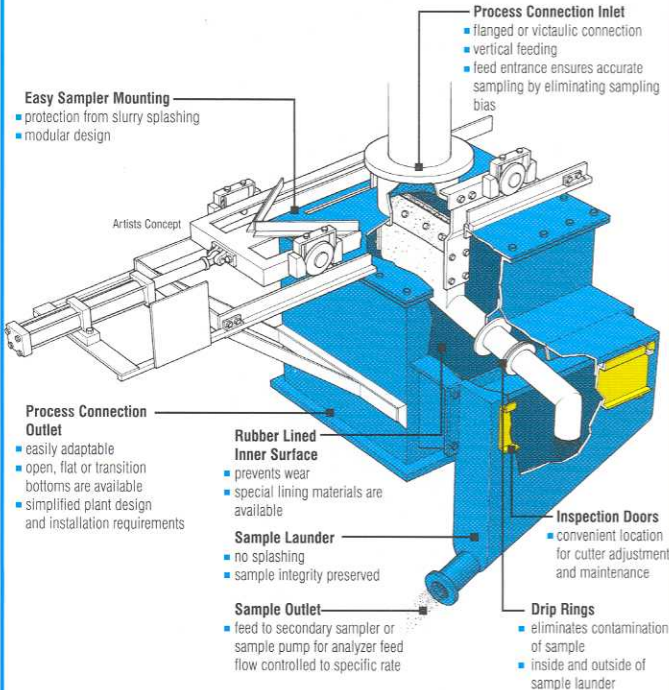
- flanged or victaulic connection
- vertical feeding
- feed entrance ensures accurate sampling by eliminating sampling bias

Inspection Doors

- convenient location for cutter adjustment and maintenance

Drip Rings

- eliminates contamination of sample
- inside and outside of sample launder



Artists Concept

arcual samplers

Model 3000 Series- Intermittent

Many Models to Choose From: 4 to 18 Inch Inlets

Standard and custom designs with many applications for free-falling materials from pipes or chutes.

Primary Flow In

Process Connection

- flanged, victaulic, or plain end pipe

Inspection Doors

- convenient location for cutter adjustment
- large, hinged, easily accessible

Cutter Blades

- easily replaceable
- available in various materials

Sectorial Cutter

- field adjustable opening

Enclosure

- self-contained
- integrated enclosure
- easily installed

Patented Pneumatic Drive

- ensures uniform cutter velocity through the material stream
- follows accepted rules and standards, eliminating sampling bias

Air Connection

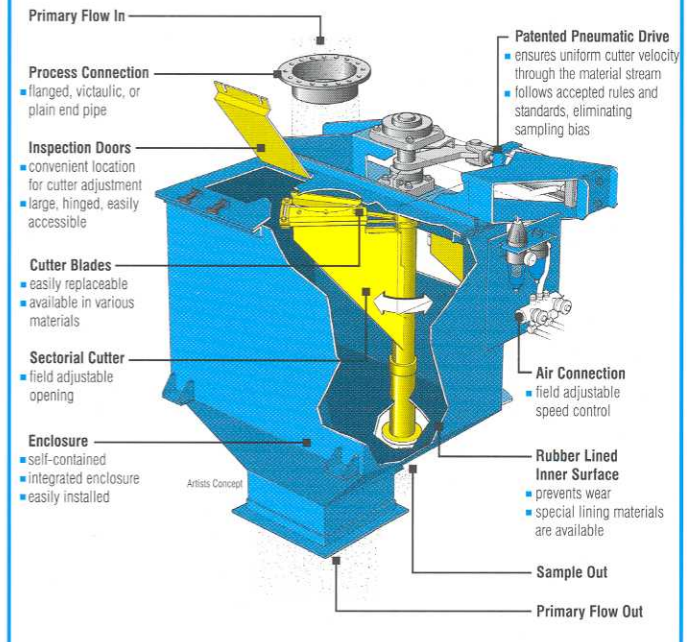
- field adjustable speed control

Rubber Lined Inner Surface

- prevents wear
- special lining materials are available

Sample Out

Primary Flow Out



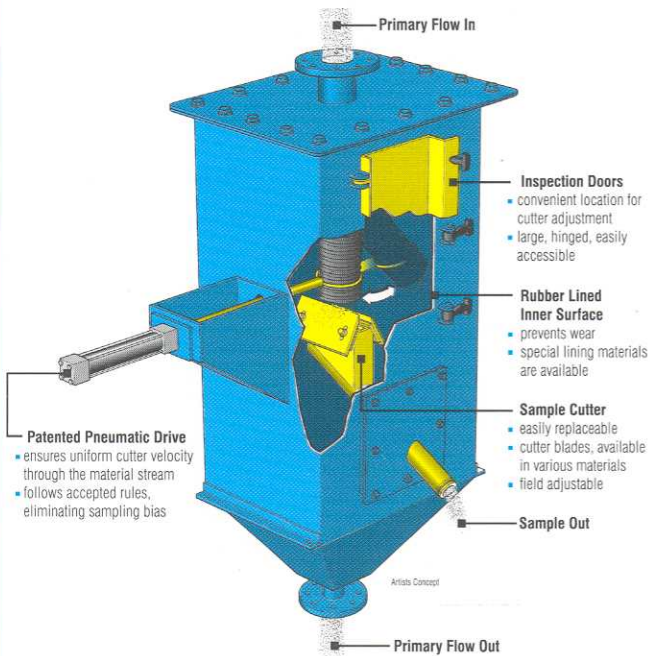
Artists Concept

moving inlet samplers

Model 1800 Series

Three Models to Choose From:
2, 3 and 4 Inch Inlets

Intermittent, primary or secondary sampling with many applications for pipes and hoses, launder discharges.



additional slurry samplers

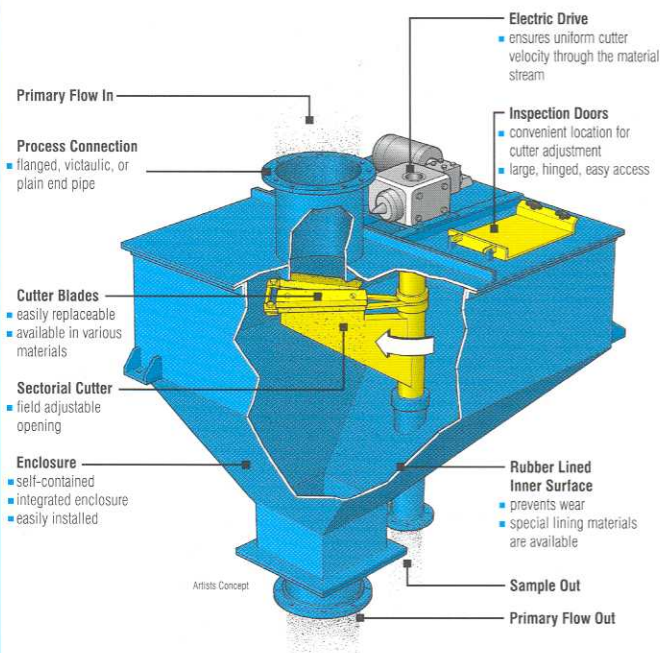
- The Niagara Sampler- Linear Sampler
 - Model 1335 for sampling high flow rates from large pipes and wide launders
- Medium Duty Electric Drive Linear Sampler
 - Model 1130 for applications between the general duty Model 1100 and the heavy duty Model 1350
- Sample Dewatering Module (SDM)
 - field mountable vacuum drying system
- Sampler Installation Modules
 - field mountable frames for swirl tank, secondary sampler and SDM
- Various Models of Diverters
 - linear, rotary
- On-stream Analyzer Sampling Equipment
 - multiplexers, diverters, calibration samplers
- Gravity Flow Down-pipe (Model GFD) Sampler and Junction/Discharge Box Sampler (Model JBD)
 - samplers for in-stream sampling on mechanical flotation cell and column flotation launders and junction boxes
- Model PD (Manual Probe) Sampler
 - used for sampling audits to manually sample pulp from flotation cells and conditioning tanks

vezin samplers

Model 4000- Continuous

Many Models to Choose From:
4 to 18 Inch Inlets
Sampling of Slurries and Free Flowing Solids

Standard and custom designs with many applications for free-falling materials from pipes or chutes.

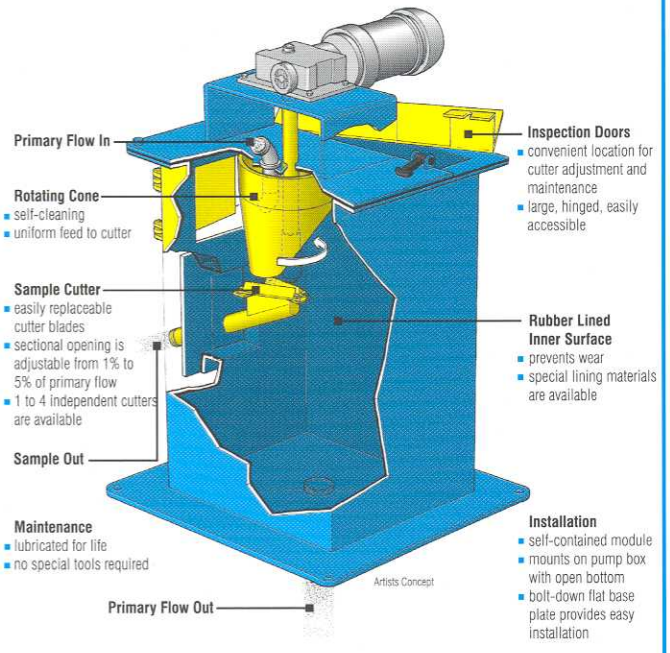


rotary samplers

Model 4500- Continuous Sample Divider

Accurate Secondary and Tertiary Sampling from Rotary Action Sampler

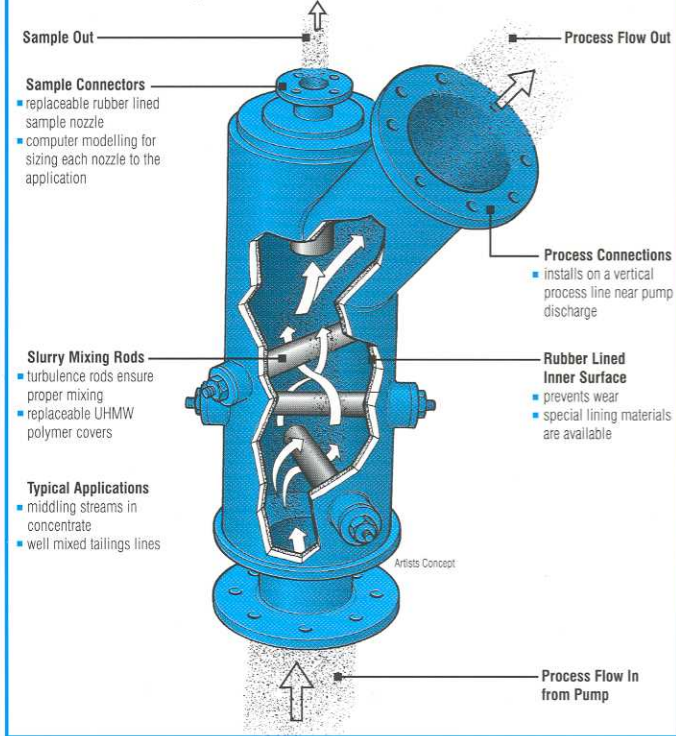
Continuous sample splitting from an easy to install self-contained module.



pressure pipe sampler

Model 5000

Continuous Grab Sampling for On-stream Analysis

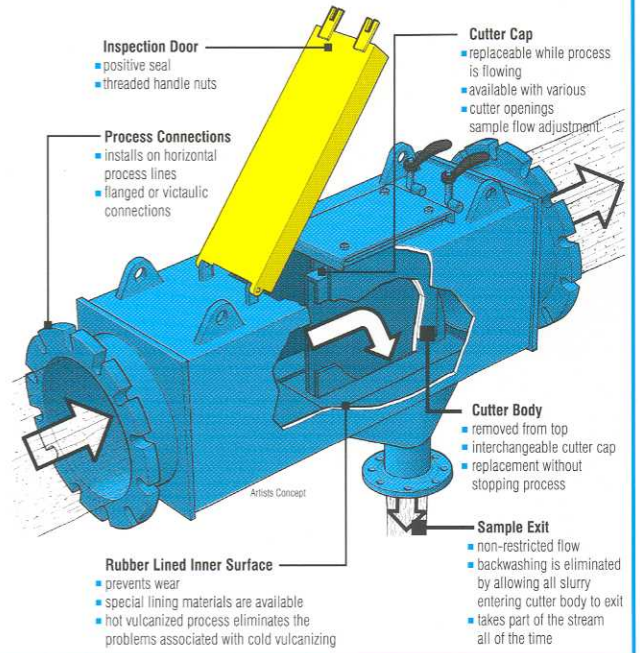


top mounted cutter

Model TMC™

- Many Pipe Sizes to Choose from:
- 4 to 36 Inch Diameter
 - Sampling of Slurries for Monitoring
 - Adaptable to Launder
 - Used for On-stream Analyzer Feed

Latest innovation in-line sampler for gravity flowing pipes. Helps to control cutter backwashing during full flow conditions.



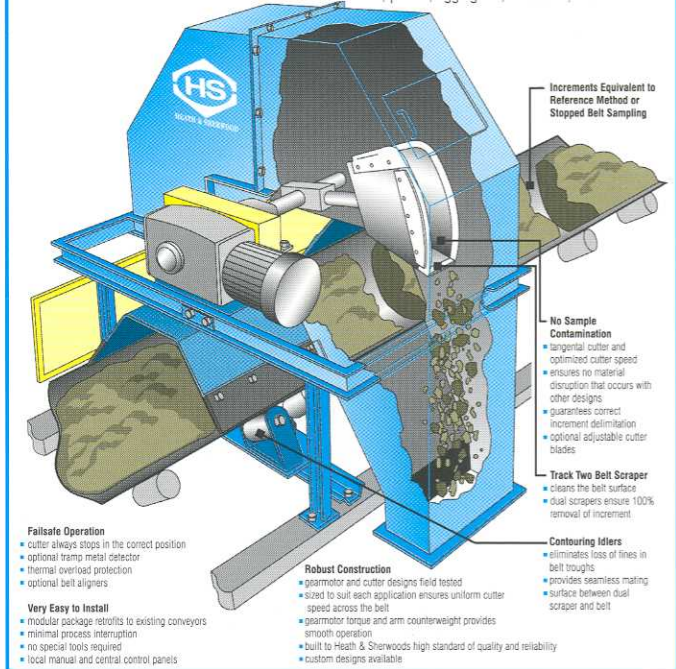
belt samplers

ARM™ (Automated Reference Method Sampler)

Representative Sampling from Moving Conveyors

Increase profits from your process by accurately sampling of fines to coarse material from a moving conveyor.

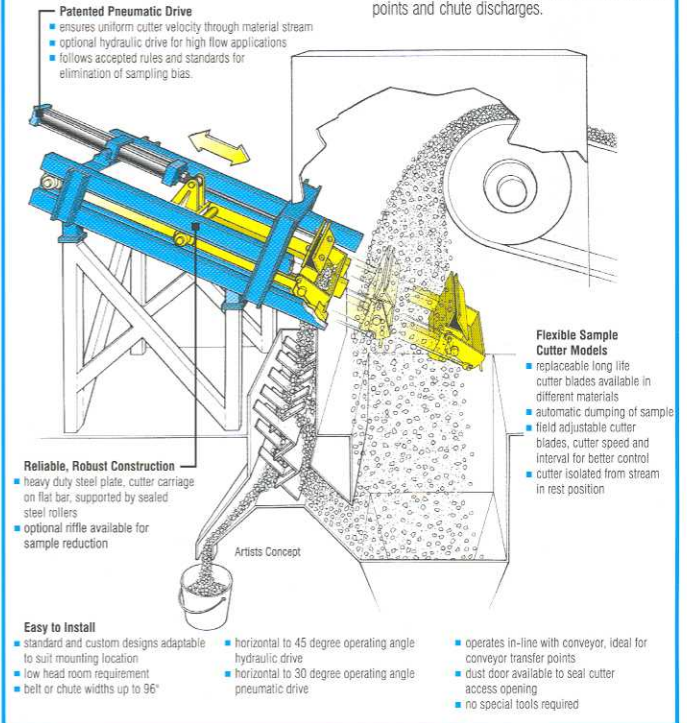
Typical Applications: Leach or pad agglomerator feed, mill feed, concentrate, coal, iron ore, sinter, pellets, aggregates, limestone, etc.



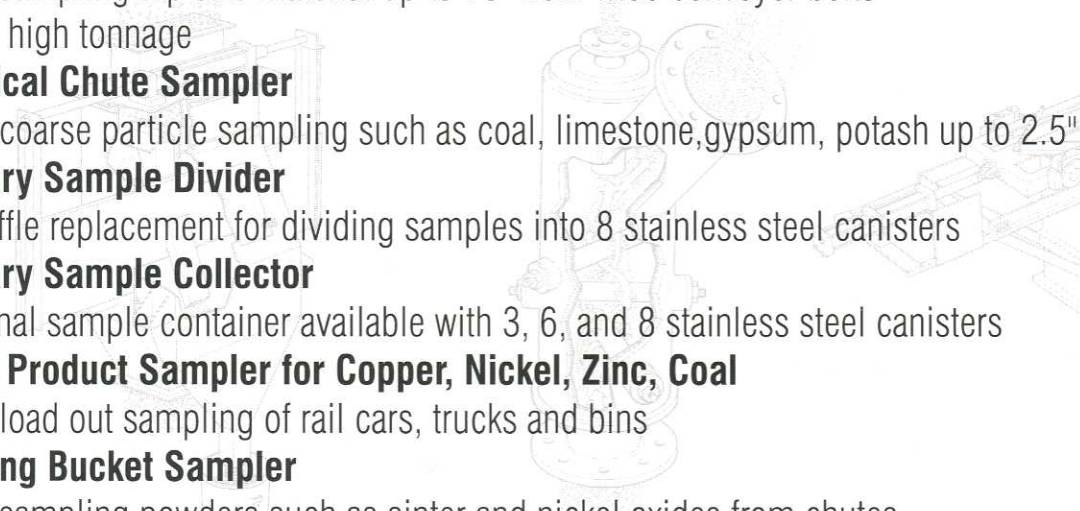
Model 1400- Extra Heavy Duty Bottom Dump

Sampling from Conveyor Discharge or Chutes

Increase profits from your process by accurately sampling granular material. Standard designs for many types of applications from conveyor transfer points and chute discharges.



additional granular/solids samplers

- **Super ARM™ Sampler**
- for sampling top size material up to 10" from wide conveyor belts and high tonnage
 - **Vertical Chute Sampler**
- for coarse particle sampling such as coal, limestone, gypsum, potash up to 2.5"
 - **Rotary Sample Divider**
- a riffle replacement for dividing samples into 8 stainless steel canisters
 - **Rotary Sample Collector**
- a final sample container available with 3, 6, and 8 stainless steel canisters
 - **Bulk Product Sampler for Copper, Nickel, Zinc, Coal**
- for load out sampling of rail cars, trucks and bins
 - **Sliding Bucket Sampler**
- for sampling powders such as sinter and nickel oxides from chutes
- 

our mission

- Heath & Sherwood is committed to providing our customers with long-term satisfaction through innovative, cost effective products and solutions which answer the customer's individual needs.
 - The *Partnering Process* with our customers combined with our experienced personnel will continue, ensuring that our products and services suit the application without compromise.
 - To build our position as the number one supplier of samplers and sampling systems.
- 



HEATH & SHERWOOD

Heath & Sherwood (1964) Limited
Box 340 Kirkland Lake, Ontario
Canada P2N 3J2

Tel. (705) 567-5313
Fax. (705) 568-8545
Toll Free:
(888) GO SAMPLE

Heath & Sherwood (USA) Inc.
5299 DTC Boulevard
Suite 500
Englewood, Colorado 80111

Tel (303) 773-2720
Fax (303) 773-2970

**Representatives
Worldwide**