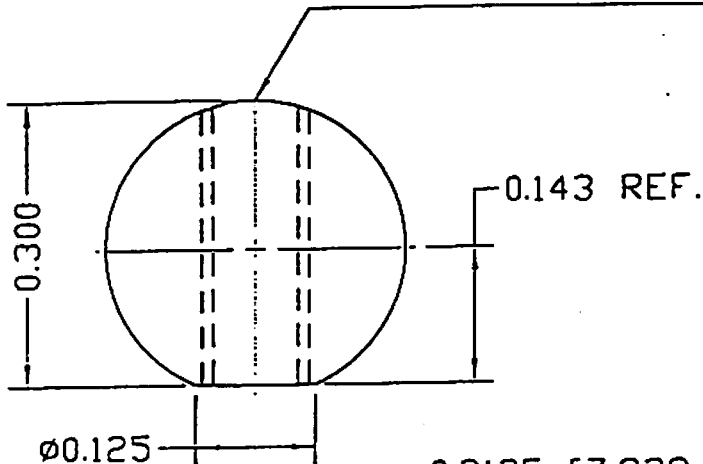
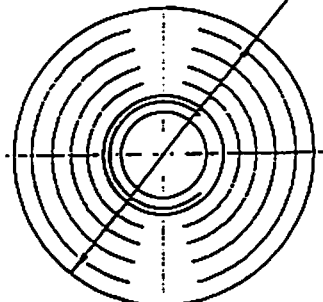


DRILL #43 & TAP 4-40UNC-2B THROUGH
PERPENDICULAR TO FLAT ± 0.002
(REMOVE ALL BURRS & SHARP EDGES)



0.3125 [7.938 mm]
 ϕ VARIATION 0.004 mm
SPHERICITY 0.002 mm
SURFACE ROUGHNESS 0.0001 mm



~~MATERIAL: Stainless Steel 316~~
~~Un-Hardened~~

440 SS.

~~Grade 25~~