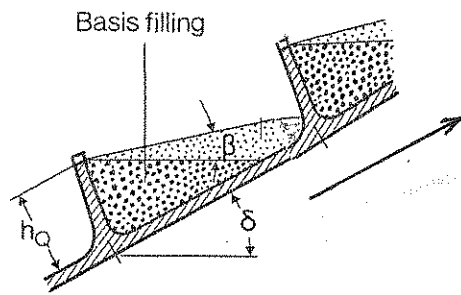
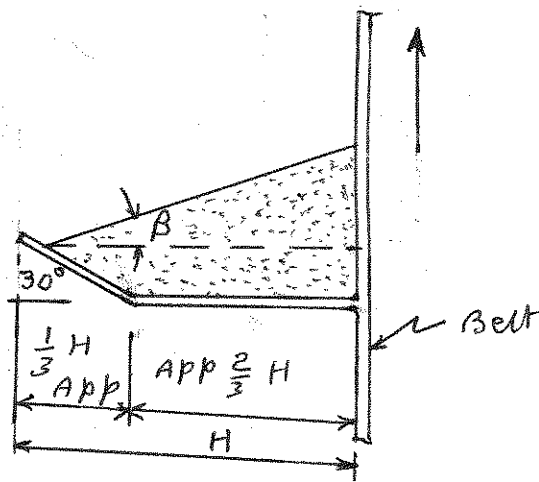


Case-1



Case-2

Material filling clearance at tip about 20 mm
For incline steep angle conveyor



Material filling clearance
at tip about 20 mm

For Z-type conveyors (Horizontal-Vertical-
Horizontal)