

8

7

6

5

4

3

2

1

D

D

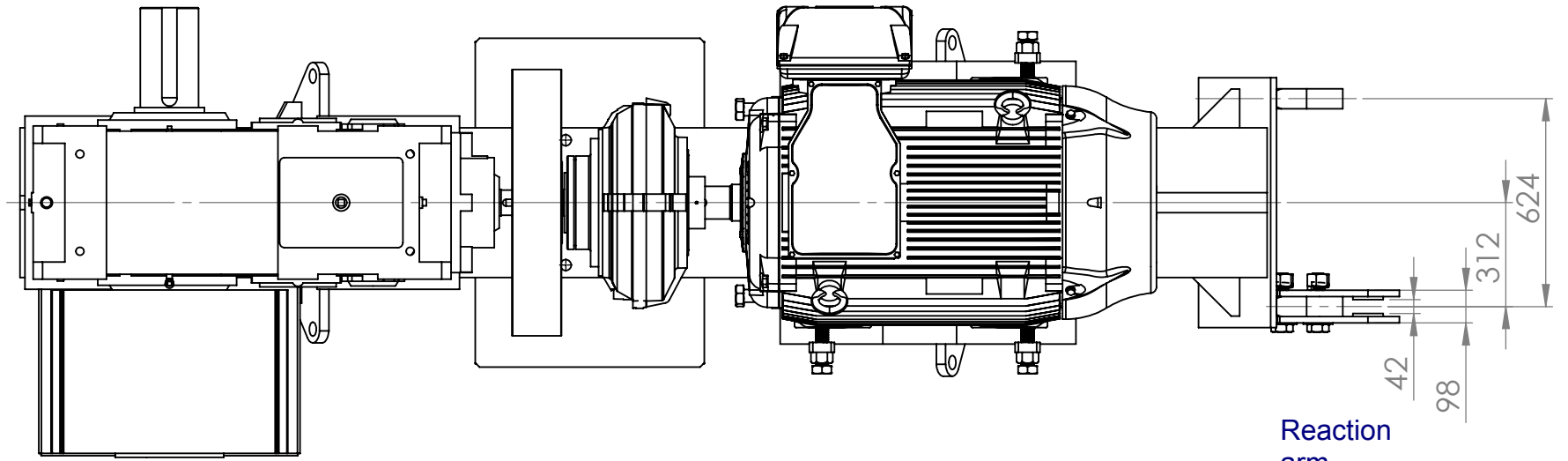
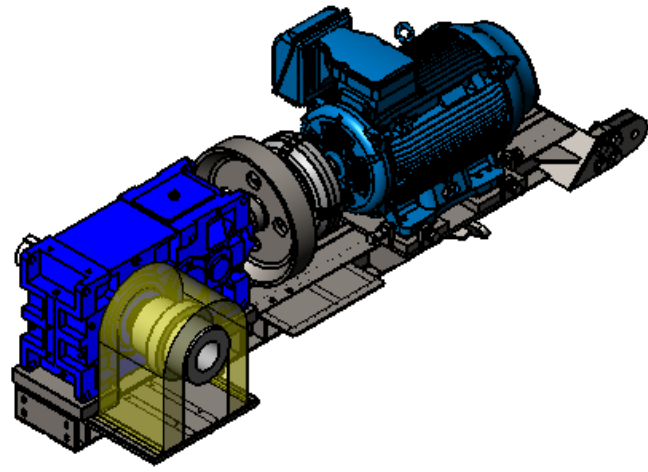
C

C

B

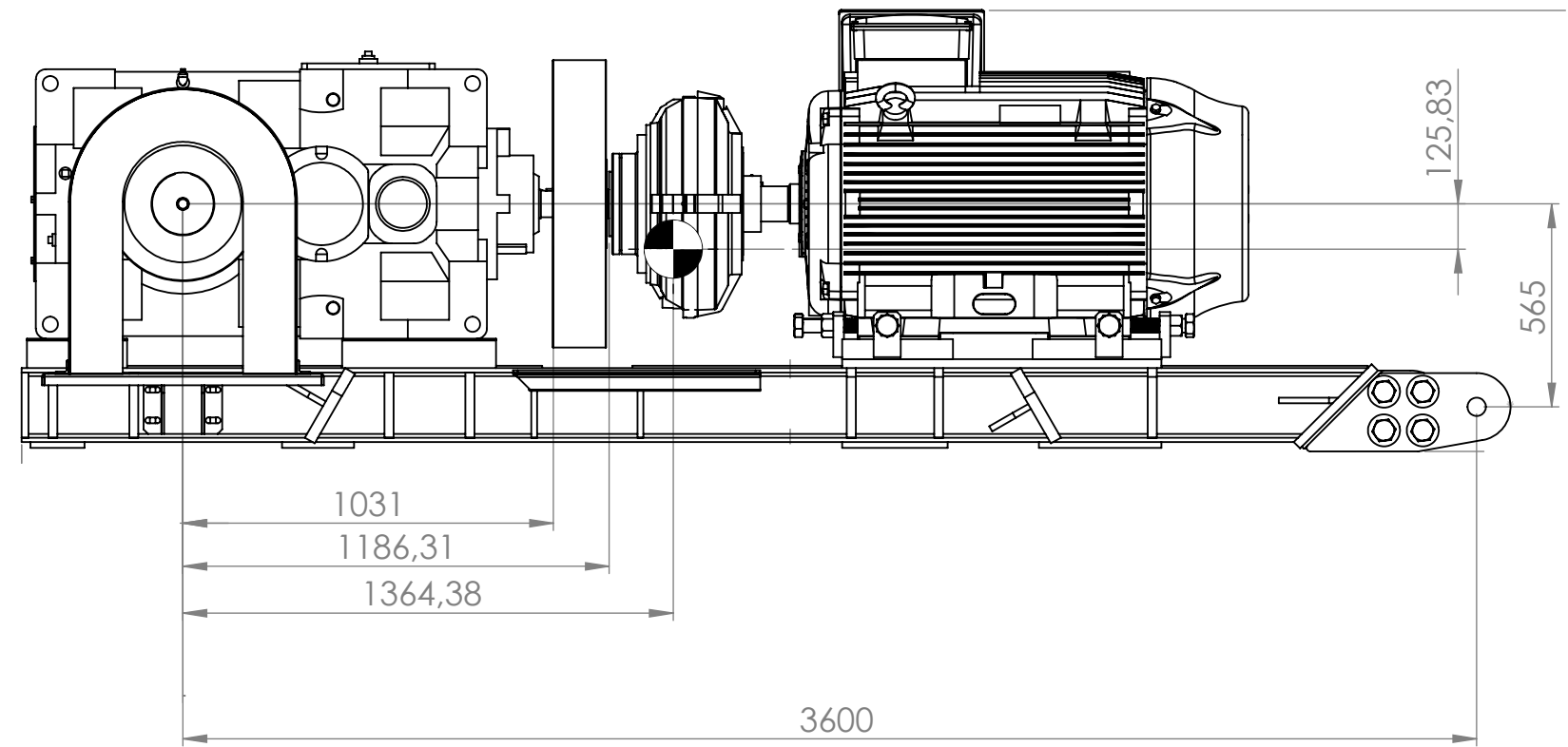
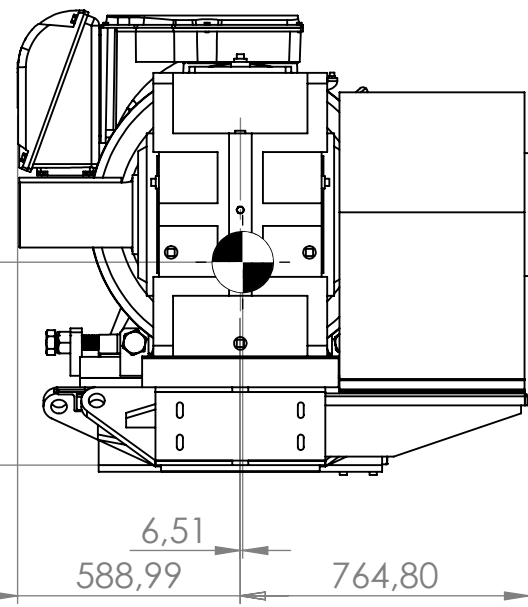
B

A



Pulley

Reaction arm



Assembly weight 12 000lbs = 5 455Kg  
 Calculation at GC 20 000lbs = 9 091Kg