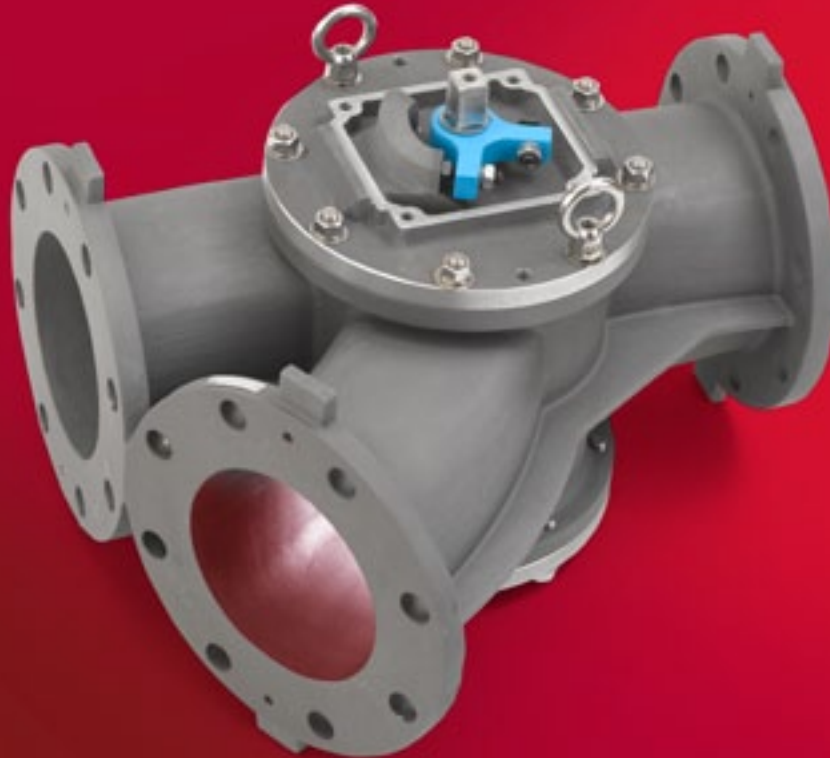


Diverter Valve GDV 30 for granular applications



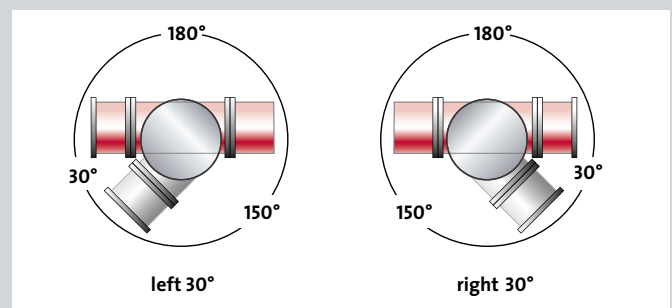
Pelletron, a leading supplier of valves for dry bulk material handling, introduces the NEW, **GDV 30 Diverter Valve**, designed for pellet and granular applications. The **GDV 30 Diverter Valve** is ideal for use as an upgraded retrofit to existing pneumatic conveying lines or for integration into new pneumatic conveying systems. The valve is available in a variety of sizes and in both aluminum and stainless steel construction, making it an ideal solution for a variety of applications.

Applications

- Suitable for granules and pellets
- For distributing or merging of product flow
- For differential pressure up to 60 psi (4.0 bar)

Design

- Sizes from 4" to 12" (100 mm to 300 mm)
- Flanges: ANSI 150#, DIN PN10, JIS 5k/10k
- Operating temperature up to 175 °F (80 °C)
- 30° flow direction
- Housing available in stainless steel or aluminum with stainless steel rotor



Flow directions / Left or right orientation available

Features

- Seal rings at each port
- Smooth pass-through design
- Heavy duty body design for pressure surges up to 90 psi (6.0 bar)
- Manual or pneumatic operation
- Heavy duty pneumatic actuator with integrated mechanical stops

Options

- High temperature design up to 350 °F (180 °C)
- Interior polished grades

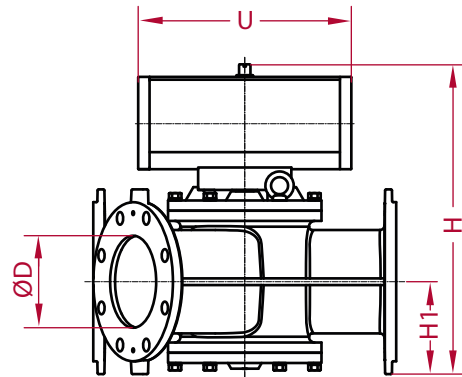
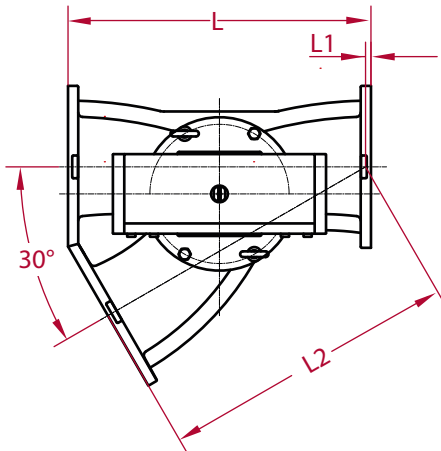
GDV 30 – Design details



3D – explosion drawing



3D – cutaway model



Measurements and Weights

(All measurements and weights are approximate)

Model Size	Ø D Inch (mm)	Weight lbs (kg)	H Inch (mm)	H1 Inch (mm)	U Inch (mm)	L Inch (mm)	L1 Inch (mm)	L2 Inch (mm)
GDV100/30	4 (110)	110 (50)	17.7 (450)	5.5 (140)	11.9 (302)	19.0 (483)	2.0 (51)	17.0 (432)
GDV125/30	5 (134)	137 (62)	20.4 (517)	5.8 (147)	14.8 (375)	20.5 (521)	1.9 (48)	18.6 (473)
GDV150/30	6 (159)	179 (81)	21.5 (546)	6.4 (163)	14.8 (375)	21.0 (533)	0.4 (10)	20.6 (524)
GDV200/30	8 (210)	258 (117)	24.0 (610)	8.0 (202)	14.8 (375)	25.5 (648)	0.1 (3)	25.4 (645)
GDV250/30	10 (260)	401 (182)	28.3 (720)	9.6 (243)	18.6 (472)	33.7 (857)	3.8 (97)	29.9 (760)
GDV300/30	12 (310)	591 (268)	30.9 (786)	11.1 (282)	18.6 (472)	36.7 (933)	1.1 (27)	35.9 (912)

Pelletron Corporation
1866 Colonial Village Lane
Lancaster, PA 17601 · USA
t +1.717.293.4008
f +1.717.293.4011
www.pelletroncorp.com
info@pelletroncorp.com

pelletroneurope GmbH
Ahornstraße 28
88285 Bodnegg · Germany
t +49.7520.956620
f +49.7520.9566215
www.pelletroneurope.com
info@pelletroneurope.com

pelletron
Discover **Bulkmatology**®
The Nature of Bulk Material Handling

