

## MoistScan<sup>®</sup> MA-500HD On-Belt Microwave Moisture Analyser

### General Description

The MoistScan<sup>®</sup> MA-500HD is ideally suited for use on metaliferous minerals. These include alumina, bauxite, nickel, zinc, lead and copper in ore and concentrate forms.

The analyser fits to a standard belt conveyor. It has a rugged c-frame configuration, is supplied fully assembled and is easily installed. Standard in the MA-500HD are many different communication options for sending and receiving data. Its user-friendly features are designed to assist with commissioning & calibration. Importantly, the data storage and communication capabilities of the MA-500HD enable technical support via remote access for diagnostic purposes and periodic calibration verification.



MINING

AGRICULTURE

CHEMICALS

BUILDING MATERIALS

FOOD

BIOFUELS

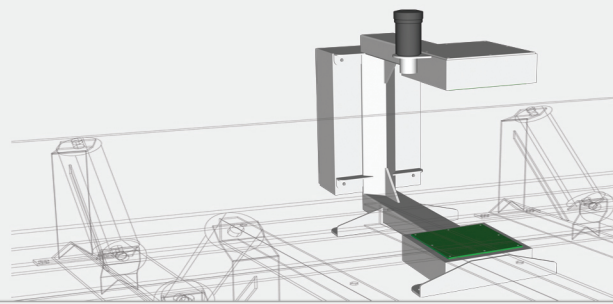
### Benefits

- Superior Precision and Accuracy
- Belt Scale not required
- Non Contact
- Non Nucleonic
- Low Whole of Life Costs
- Easy to Install
- Seamless Plant Integration
- Remote Access Calibration & Servicing

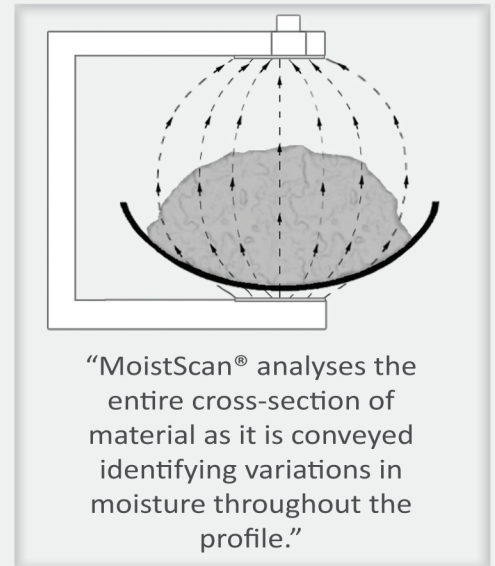
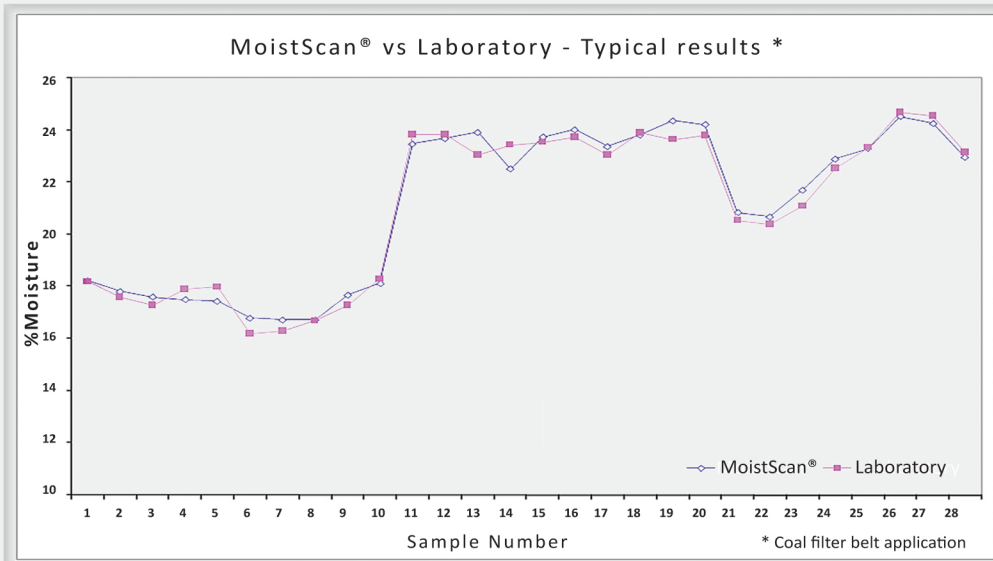
### Features

- Analyses 100% of the material on the conveyor from top to bottom.
- Uses MoistScan<sup>®</sup>, the most widely used online microwave analysis technology on the market for measuring moisture in bulk materials.
- Measures the bed depth of the material to compensate for mass flow rate. Other microwave analysers may require an input from a beltweigher or a radioactive source
- No contact with the material being analysed
- No radioactive source is required
- As no beltweigher or radioactive sources is required ongoing costs associated with servicing and regulatory compliance is minimal
- Fully assembled and easily bolts to the stringer supports of the conveyor
- Wide range of communication options for transmitting data to Plant PLC
- Cost-effective remote communication access for periodic checking of calibration





## The MoistScan<sup>®</sup> microwave advantage



## Specifications

Instrument Precision:	Typically 0.3% at 1SD (subject to application and material composition)
Measurement Range:	0 to 90% moisture
Measurement Freq:	50Hz
Communications:	Ethernet TCP/IP, Modbus (in-built protocol converter enables connection via most popular brand communication protocols)
Operator Interface:	LCD touch panel display on control cabinet (colour & trend display options)
Operating Temp Range:	0 to 50° Celsius (extreme temperature options)
Humidity Range:	0 to 90% relative (non-condensing)
Power:	110/240VAC 60/50Hz, 300 watts maximum dissipation (24V, 48V DC options)
Control Cabinet:	Steel powder coated NEMA 4X/IP66 (stainless steel, food grade CIP, explosion proof options)
Frame:	Aluminum powder coated (stainless steel, food grade CIP, custom size options)
Outputs:	Instantaneous moisture and average moisture via 2 x 4-20mA analog outputs (digital output via RS232, RS485, serial/ethernet options)

### Your local MoistScan<sup>®</sup> Representative:

#### AUSTRALIA - HEAD OFFICE

Ph: 617 49 555 966 | Fx: 617 49 557 338 | [www.callidan.com](http://www.callidan.com)  
Lot J Mackay Marina Village, Mulherin Drive.  
PO Box 6920 Mackay MC. QLD AUSTRALIA. 4741

#### GLOBAL REPRESENTATIVES

Americas | Europe | Asia | Oceania | Africa | Middle East

